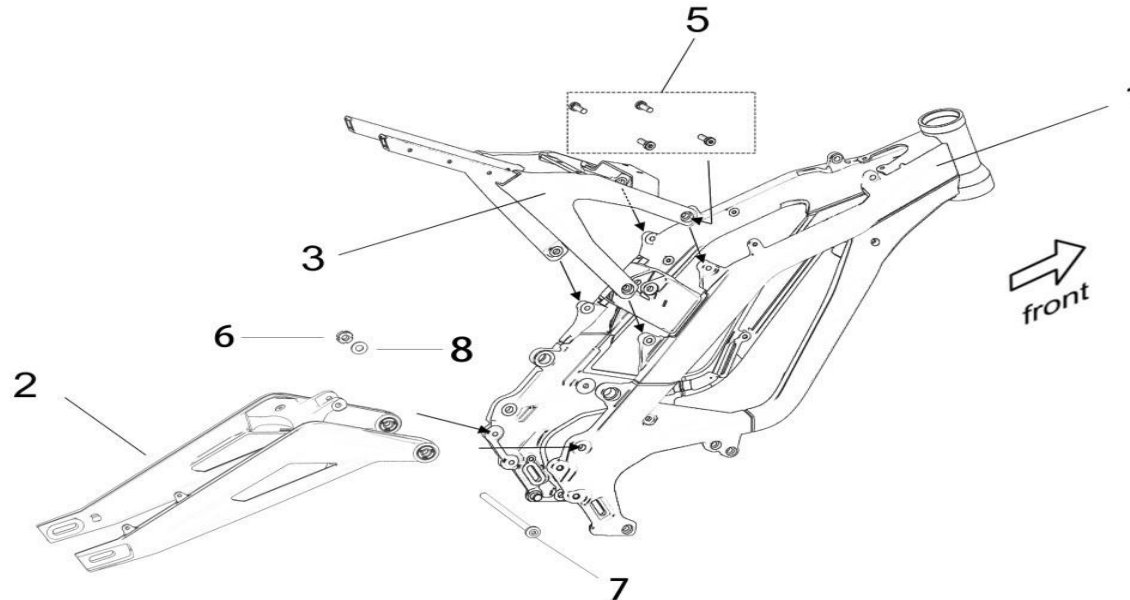
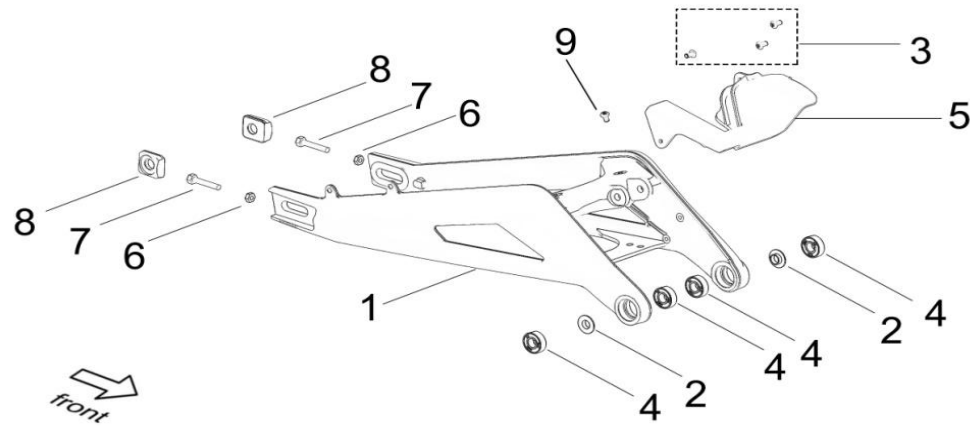


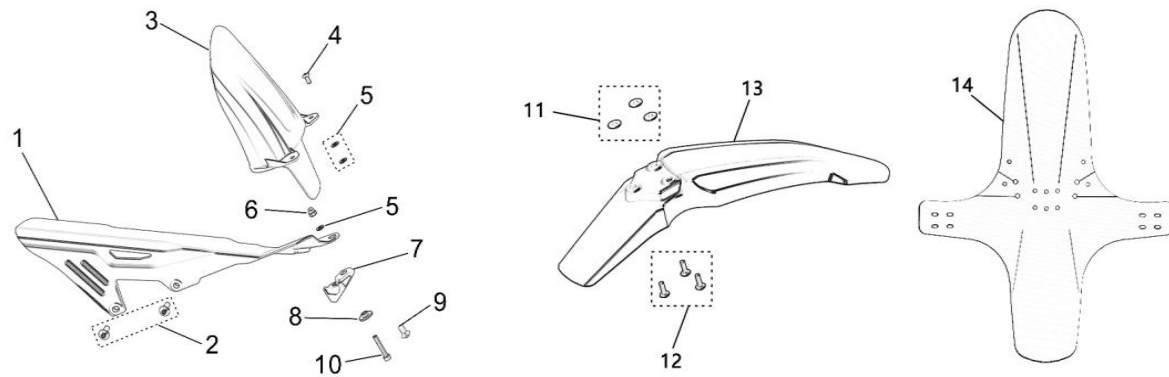
# SURRON LIGHT BEE X SPARE PARTS CATALOG



ITEM	PARTS NO.	PARTS NAME (EN)	DIMENSION (mm)	WEIGHT (kg)	QTY
1_01	41100-YQ2B-0001	Frame Assy. (Without Painting)	200.5×692.5×440.5	4,811	1
	41100-YQ2B-0000-Y2	Frame Assy. (Silver-White)			1
	41100-YQ2B-0000-Y4	Frame Assy. (Black)			1
	41100-YQ2B-0000-Y5	Frame Assy. (Steel-Grey)			1
	41100-YQ2B-0000-Y6	Frame Assy. (Green)			1
	41100-YQ2B-0000-Y7	Frame Assy. (Red)			1
	41100-YQ2B-0000-Y8	Frame Assy. (Yellow)			1
	41100-YQ2B-0000-Y11	Frame Assy. (Blue)			1
	41100-YQ2B-0000-Y12	Frame Assy. (Orange)			1
1_02	61000-YQ2A-0001	Rr. Fork Assy. (Without Painting)	189.5×519×158	2,064	1
	61000-YQ2A-0000-Y2	Rr. Fork Assy. (Silver-White)			1
	61000-YQ2A-0000-Y4	Rr. Fork Assy. (Black)			1
	61000-YQ2A-0000-Y5	Rr. Fork Assy. (Steel-Grey)			1
	61000-YQ2A-0000-Y6	Rr. Fork Assy. (Green)			1
	61000-YQ2A-0000-Y7	Rr. Fork Assy. (Red)			1
	61000-YQ2A-0000-Y8	Rr. Fork Assy. (Yellow)			1
	61000-YQ2A-0000-Y11	Rr. Fork Assy. (Blue)			1
	61000-YQ2A-0000-Y12	Rr. Fork Assy. (Orange)			1
1_03	41520-YQ2A-0000	Seat Frame Assy.	189.5×174×430	1,178	1
1_05	B3-009-08-020-F0	Screw (M8*20)		0,0096	4
1_06	B4-008-10-F0	Nut (M10*1.0)		0,0165	1
1_07	61260-YQ2A-0000	Rr. Fork Shaft	20×20×203	0,129	1
1_08	B4-001-10-F1	Washer (Φ10-Φ20-2)		0,003	1

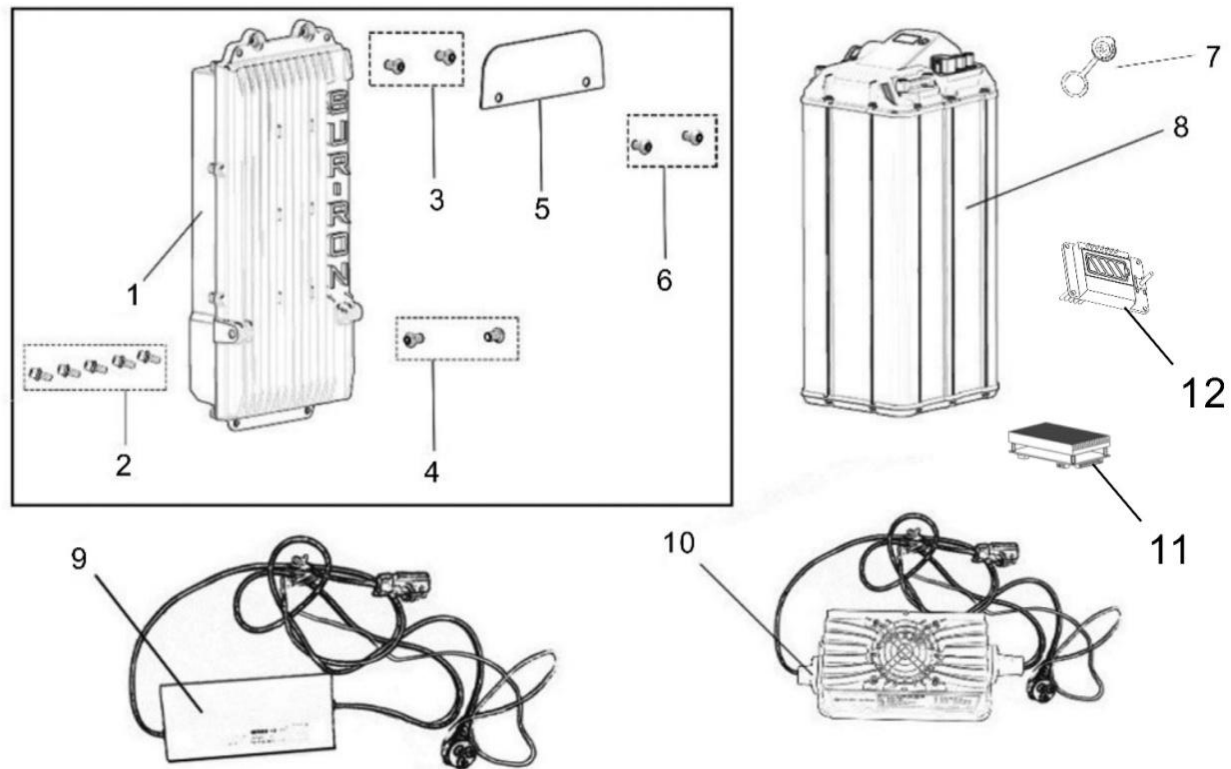


ITEM	PARTS NO.	PARTS NAME (EN)	DIMENSION (mm)	WEIGHT (kg)	QTY
2_01		Rr. Fork Assy.	189.5×519×158	2,044	1
2_02	FB05-005-10-15-22-2	Washer (Φ10*Φ15*Φ22-2)	22.5×22.5×2	0,003	2
2_03	B3-002-05-010-F0	Screw (M5*10)		0,003	3
2_04	Z-6000-2Z-26-10-08	Rr. Fork Bearing	26×26×8	0,0035	4
2_05	32120-YQ2A-0000	Mid. Shaft Sleeve Guard (Plastic)	150.5×125×80.7	0,066	1
2_06	B2-001-06-F2	Nut (M6)		0,0022	2
2_07	B1-004-06-035-F0	Bolt (M6*35)		0,0085	2
2_08	61210-YQ2A-0000	Tensioner	12×31×27	0,014	2
2_09	B3-002-05-010-F0	Screw (M5*10)		0,003	1

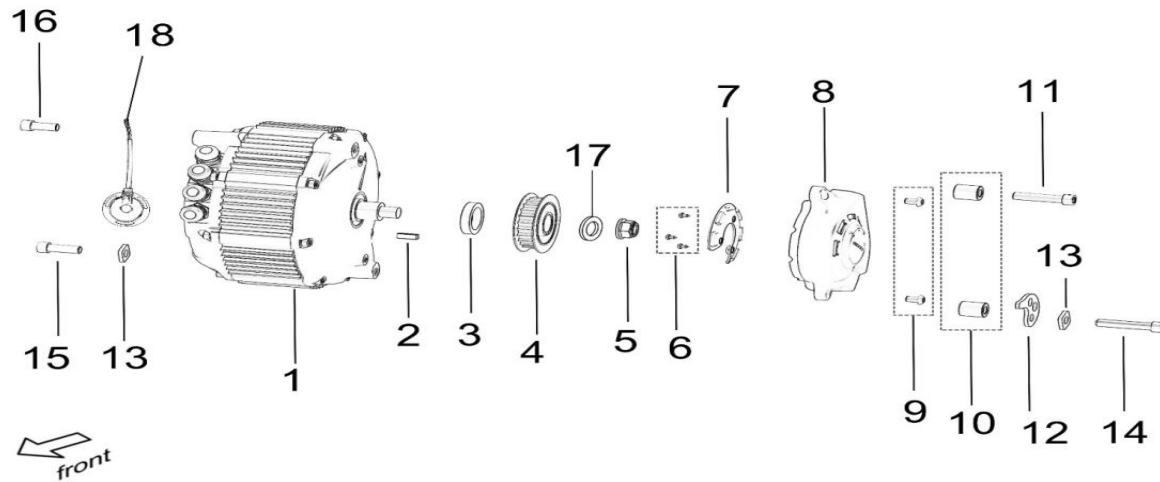


ITEM	PARTS NO.	PARTS NAME (EN)	DIMENSION (mm)	WEIGHT (kg)	QTY
3_01	32223-YQ2A-0000	Chain Guide	383.2×40.9×174.2		1
3_02	FB03-001-06-012-F0	Chain Guide Mounting Screw A			2
3_03	31311-YQ1N-0000	Rr. Wheel Fr. Fender	129.6×457.3×166.2		1
3_04	B3-002-05-010-F0	Screw (M5*12)			2
3_05	B4-001-05-F1	Flat Washer			1
3_06	B2-018-05-010-F0	Cap Nut			1
3_07	61237-YQ2A-0000	Rr. Fork Bumper Block	43×35.6×22.9		1
3_08	61238-YQ2A-0000	Flanging Bush	18×18×5.5		1
3_09	B3-002-05-012-F0	Mounting Screw A			1

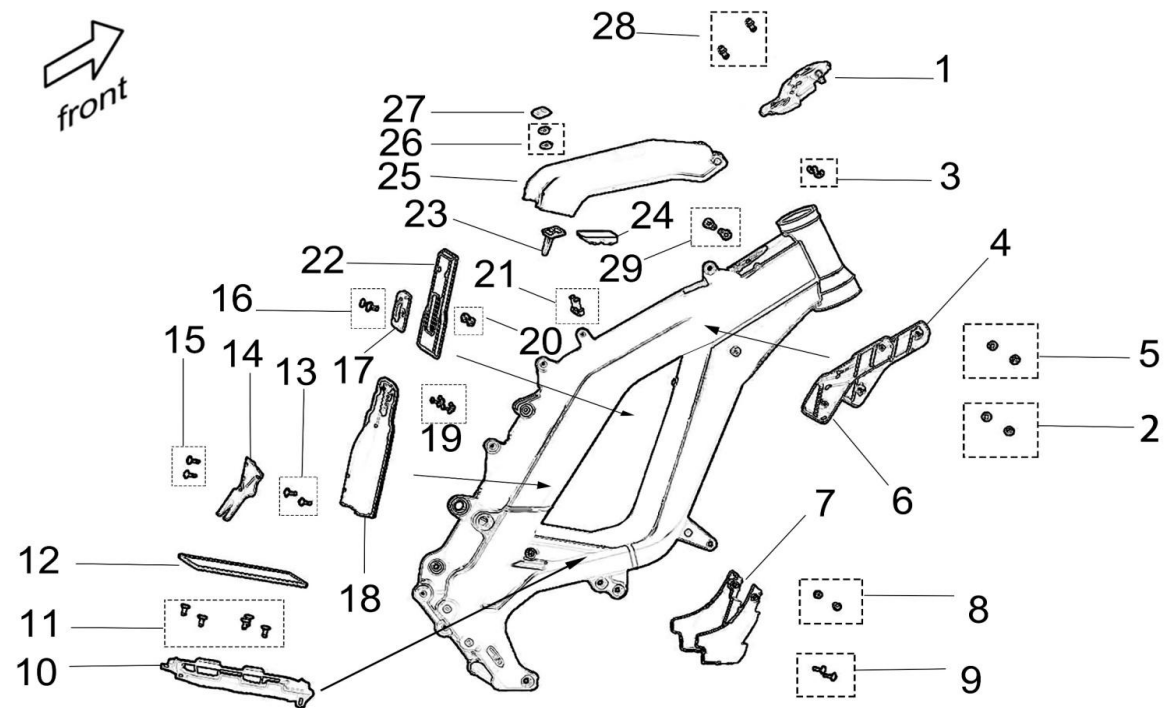
3_10	B3-001-05-030-F0	Mounting Screw B			1
3_11	31218-YQ2B-0000	Fr. Fender Mounting Flanging Bush (DNM)			3
3_12	FB03-001-06-012-F0	Screw (M6*12) (DNM)			3
3_13	31211-YQ2B-0000	Fr. Fender (DNM)			1
3_14	31211-YQ2A-0100	Fr. Fender (RST)			1



ITEM	PARTS NO.	PARTS NAME (EN)	DIMENSION (mm)	WEIGHT (kg)	QTY
4_01	21100-YQ2A-0202	Controller (Sine Wave) 25KM/H	122×56.7×279	1,902	1
	21100-YQ2B-0101	Controller (Sine Wave) 45KM/H		1,902	1
4_02	B8-001-06-016-F2	Screw (M6*16)			5
4_03	B3-002-06-012-F1	Screw (M6*12)		0,0031	2
4_04	B3-002-06-010-F0	Screw (M6*10)			2
4_05	21103-YQ2A-0000	Controller Uper Decoration Plate	120×42×1	0,003	1
4_06	B3-002-05-010-F0	Screw (M5*10)		0,003	2
4_07	26351-YQ2A-0000	Battery Charging Port Waterproof Rubber cap	85×36×15	0,004	1
4_08	26000-YQ2A-0500	60V/32Ah Lithium Battery			1
4_10	21700-YQ2A-0800	Charger (220V, 10A) (CN Plug)	405×195×155	2,106	1
	21700-YQ2A-1000	Charger (110V, 10A) (US Plug)			1
	21700-YQ2A-1200	Charger (220V, 10A) (EU Plug)			1
	21700-YQ2A-1400	Charger (220V, 10A) (UK Plug)			1
	21700-YQ2A-1500	Charger (220V, 10A) (AU Plug)			1
4_11	26220-YQ2A-0100	Battery BMS (60V Battery)	115×85×15		1
4_12	26310-YQ2A-0200	Battery LCD Display	42×28×11		1

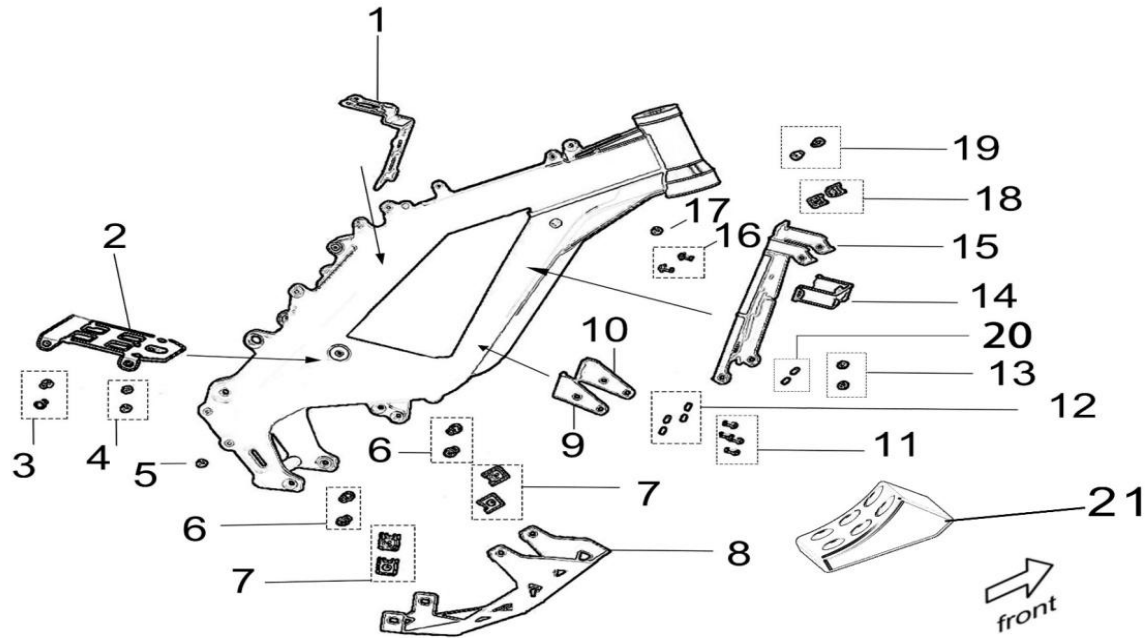


ITEM	PARTS NO.	PARTS NAME (EN)	DIMENSION (mm)	WEIGHT (kg)	QTY
5_01	11100-YQ2A-0201	Motor Assy.	157.3×182.4×181.5	7,088	1
5_02	B7-001-25-35-7	Oil Seal	35×35×7	0,0071	1
5_03	B6-003-05-016	Plain Circular Bond (5*5*16mm)		0,002	1
5_04	13201-YQ2A-0100	Fr. Belt Pulley	65.2×65.2×21	0,231	1
5_05	B2-006-12-F2	Nut (M12*1.25)		0,0152	1
5_06	FB03-004-006-F2	Screw (PB3.5*6)		0,0005	3
5_07	32332-YQ2A-0000	Bush, Fr. Belt Pulley Protection Cover	73.7×60.6×5.9	0,005	1
5_08	32331-YQ2A-0000	Fr. Belt Pulley Protection Cover	41.5×116×119	0,032	1
5_09	B3-002-06-010-F0	Bolt (M6*10)		0,0031	2
5_10	11216-YQ2A-0000	Motor Left Mounting Bush	20×20×19	0,014	2
5_11	B3-001-08-040-F0	Screw (M8*40)		0,0149	1
5_12	11171-YQ2A-0000	Motor Position Adjuster	55×36.4×3	0,022	1
5_13	11172-YQ2A-0000	Motor Position Adjuster Fix Plate	21×21×3	0,004	2
5_14	B3-001-08-045-F0	Screw (M8*45)		0,0196	1
5_15	B3-001-08-020-F0	Screw (M8*20)		0,0096	1
5_16	B3-001-08-025-F0	Screw (M8*20)		0,0096	1
5_17	FB05-002-23-12-1-F3	Fr. Pulley Mounting Washer (Φ24*Φ10*1.6-3)	Φ24×Φ10×1.6-3	0,015	1
5_18	21152-YQ2A-0000	Hall Sensor	210mm		1

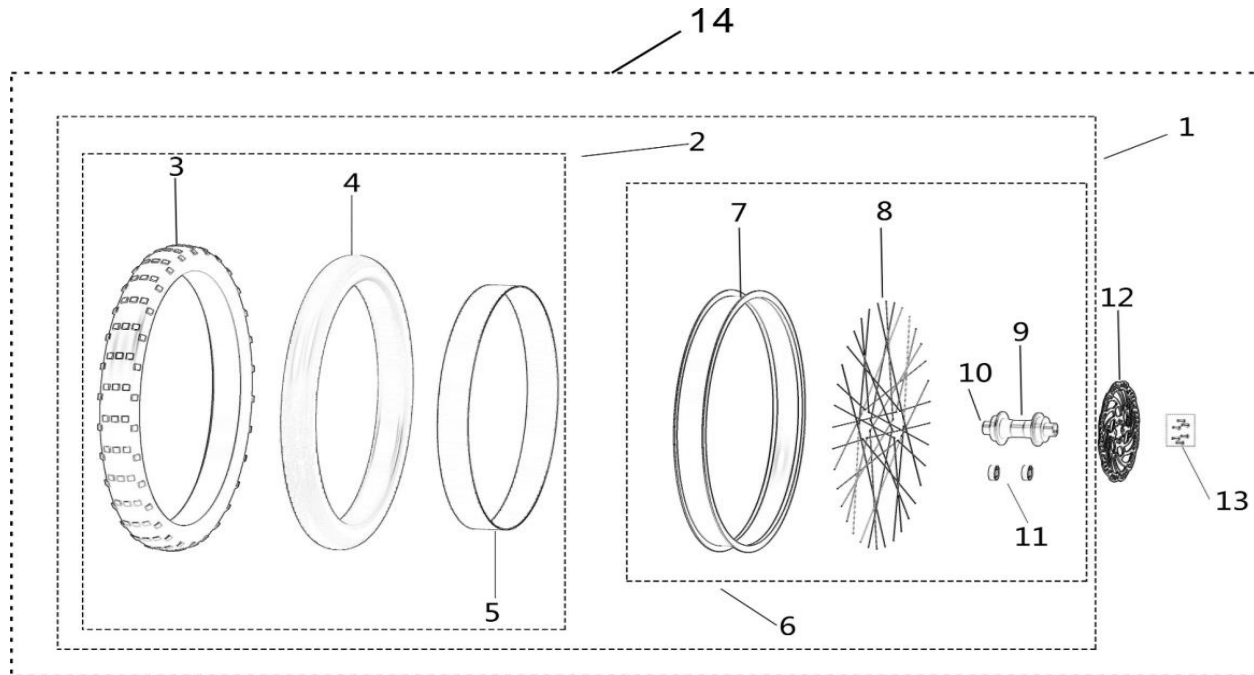


ITEM	PARTS NO.	PARTS NAME (EN)	DIMENSION (mm)	WEIGHT (kg)	QTY
6_01	32340-YQ2A-0000	Decoration Cover, Electric Lock	100.3×112.5×28.7	0,026	1
6_02	B3-003-05-010-F0	Screw (M5*10)		0,003	2
6_03	B4-007-05-F1	Split Damping Ring (Inner Dia. Φ5)		0,0005	2
6_04	32356-YQ2A-0000	Battery L Position Fixing Block (Plastic)	15.3×150.4×48.6	0,013	1
6_05	B3-003-05-010-F0	Screw (M5*10)		0,003	2
6_06	32357-YQ2A-0000	Battery R Position Fixing Block (Plastic)	15.3×150.4×48.6	0,013	1
6_07	32361-YQ2A-0000	Controller Lower Decoration Cover	162.7×77.6×123.8	0,037	1
6_08	B3-002-06-010-F0	Screw A (M6*10)		0,0031	2
6_09	FB03-003-04-013-F3	Screw B (M4*13)		0,0016	2
6_10	32358-YQ2A-0000	Battery Bottom Position Fixing Block (Plastic)	149.7×179.3×29	0,149	1
6_11	B3-003-05-012-F0	Screw (M5*12)		0,0034	5
6_12	26343-YQ2A-0000	Battery Bottom Buffer Foam	125×148×3	0,005	1
6_13	FB03-003-04-013-F3	Screw (M4*13)		0,0016	2
6_14	32365-YQ2A-0000	Fender, Belt Pulley (Plastic)	74.6×21.2×86.9	0,016	1
6_15	FB03-003-04-013-F3	Screw (M4*13)		0,0016	2
6_16	B3-003-05-016-F0	Screw (M5*16)		0,0039	2
6_17	32353-YQ2A-0000	Battery Fr. Position Fixing Support Block (Plastic)	52.3×9.5×51.3	0,008	1
6_18	32355-YQ2A-0000	Battery Rr. Fender (Plastic)	162.7×26×183.2	0,089	1
6_19	FB03-001-06-012-F0	Screw (M6*12)		0,0031	2
6_20	B2-006-05-F2	Nut (M5)		0,0015	2
6_21	B3-002-06-012-F0	Screw (M6*12)		0,0031	2
6_22	26341-YQ2A-0000	Battery Fr. Buffer Foam	100×7.5×140	0,01	1
6_23	26290-YQ2A-0000	Battery Compartment Cover Lock Hook	53.3×21.9×37.8	0,03	1
6_24	32233-YQ2A-0000	Battery Compartment Cover Buffer Rubber	53×43.2×6.6	0,014	1
6_25	32231-YQ2A-0000	Battery Compartment Cover (Plastic)	157.6×253.6×55.4	0,214	1
6_26	B2-001-06-F2	Nut (M6)		0,0022	2

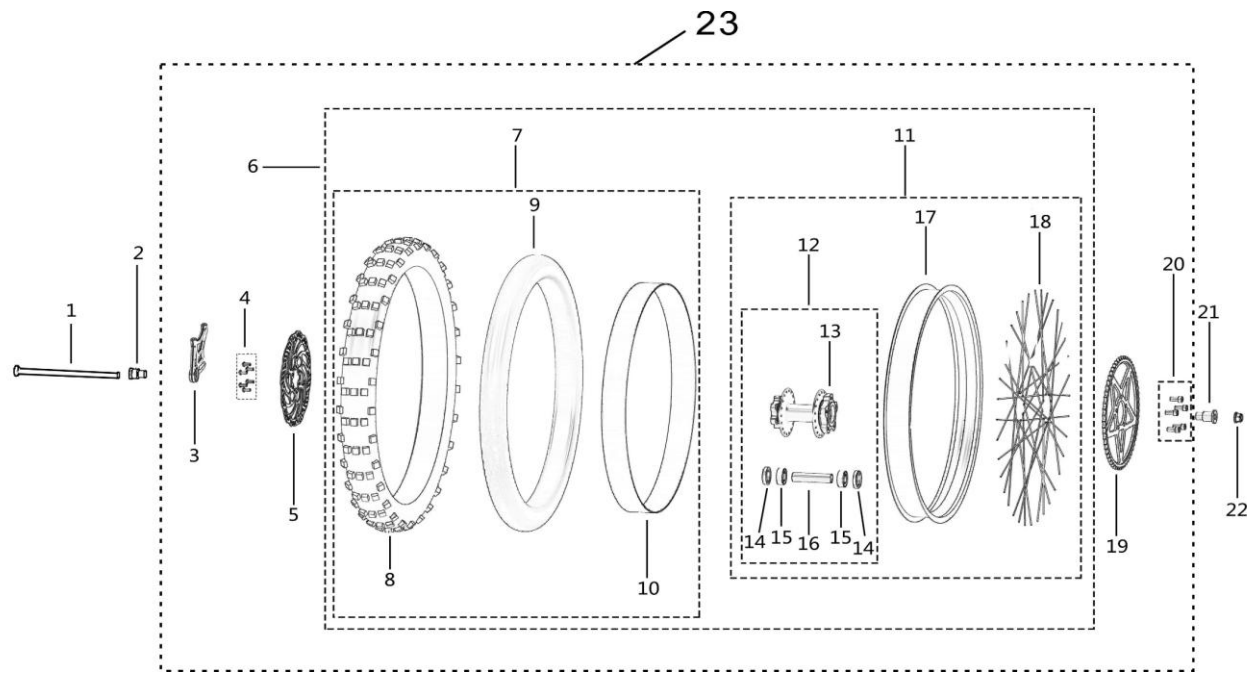
6_27	82129-YQ2A-0000	Battery Compartment Cover Decoration Label	44.5×18×2.8	0,0019	1
6_28	B3-002-06-012-F0	Screw (M6*12)		0,0031	2
6_29	41762-YQ2A-0000	Battery Compartment Cover Pin	10×10×34.5	0,008	2



ITEM	PARTS NO.	PARTS NAME (EN)	DIMENSION (mm)	WEIGHT (kg)	QTY
7_01	32354-YQ2A-0000	Battery Rr. Support Block	81.6×88×116.5	0,115	1
7_02	41690-YQ2A-0000	Battery Bottom Support Block	147.5×145.7×21.5	0,248	1
7_03	FB03-001-06-016-F0	Screw A (M6*16)		0,0054	2
7_04	B3-001-06-010-F0	Screw B (M6*10)		0,0031	2
7_05	B4-009-06-014-F0	Motor Position Adjuster Limitation Pin (M6*14)		0,0026	1
7_06	B3-009-08-020-F0	Screw (M8*20)		0,0096	4
7_07	FB02-003-08-F2	Nut Clip (M8)		0,0096	4
7_08	41750-YQ2A-0000	Motor Protection Cover	148.4×230.4×156.7	0,243	1
7_09	41740-YQ2A-0000	Controller Lower R Mounting Bracket	45.3×21.5×67.7	0,035	1
7_10	41730-YQ2A-0000	Controller Lower L Mounting Bracket	45.3×21.5×67.7	0,034	1
7_11	B3-002-06-010-F0	Screw (M6*10)		0,0031	4
7_12	B4-002-06-F2	Spring Washer (Φ6)		0,0005	4
7_13	B3-001-06-012-F0	Screw (M6*12)		0,0031	2
7_14	41710-YQ2A-0000	Controller Upper Mounting Bracket	104×22.6×44.5	0,066	1
7_15	41670-YQ2A-0000	Battery Fr. Fender	140.2×249.6×61.7	0,17	1
7_16	B3-002-06-020-F0	Screw (M6*20)		0,0031	2
7_17	B3-002-05-010-F0	Screw (M5*10)		0,003	1
7_18	FB02-001-06-F2	Nut Clip (M6)		0,0031	2
7_19	B3-001-06-016-F0	Screw (M6*16)		0,0054	2
7_20	B4-002-06-F2	Spring Washer (Φ6)		0,0005	2
7_21	41755-YQ2A-0000	Motor Anticollision Block	95×79×37		



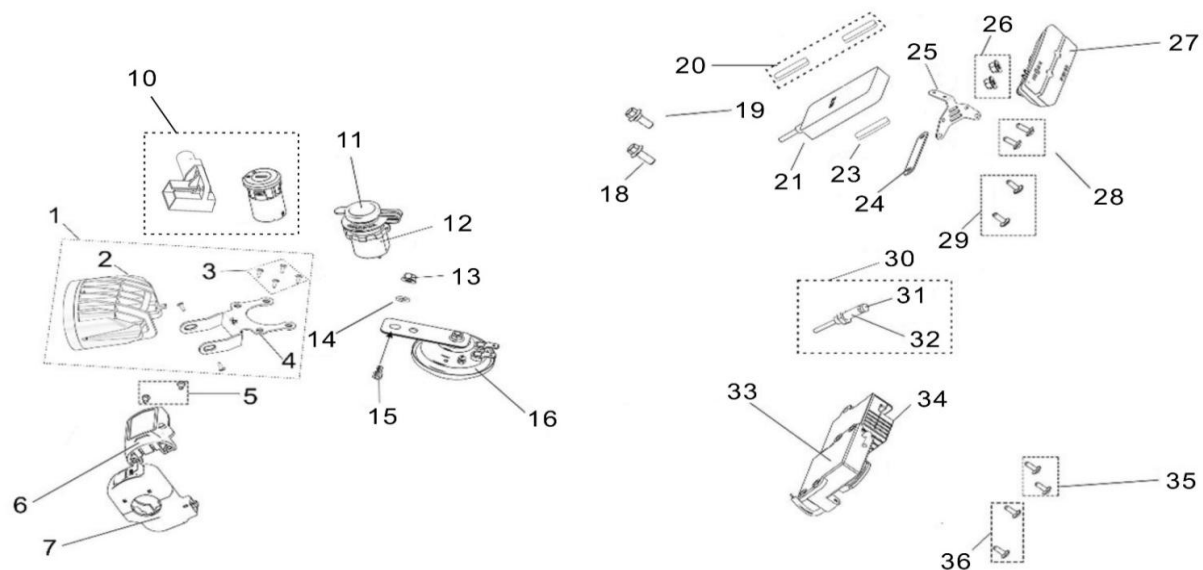
ITEM	PARTS NO.	PARTS NAME (EN)	DIMENSION (mm)	WEIGHT (kg)	QTY
8_01	51200-YQ2A-0000	Fr. Wheel Assy. With Off Road Tire	624×624×110	4,6	1
	51200-YQ2A-0010	Fr. Wheel Assy. With Off Road Tire (E-Mark)		4,6	1
8_02	51230-YQ2A-0000	Fr. Tire Assy.	624×624×61.6		1
	51230-YQ2A-0010	Fr. Tire Assy. (E-Mark)		2,46	1
8_03	51231-YQ2A-0000	Fr. Tire	624×624×61.6	2,023	1
	51231-YQ2A-0010	Fr. Tire (E-Mark)			1
	51231-YQ2A-0300	Fr. Tire 2.50-19			1
	51231-YQ2A-0301	Fr. Tire 2.50-19 (E-Mark)			1
8_04	51232-YQ2A-0000	Fr. Wheel Inner Tube	585×585×50	0,322	1
	51232-YQ2A-0010	Fr. Wheel Inner Tube (E-Mark)	585×585×50	1,322	1
8_05	51266-YQ2A-0000	Fr. Rim Band	665×20×1	0,038	1
8_06	51270-YQ2A-0000	Fr. Rim Assy.	522×522×110	1,903	1
8_07	51271-YQ2A-0100	Fr. Rim	522×522×46	1,6652	1
8_08	51290-YQ2A-0002	Fr. Wheel Spokes	216×8	0,0119	36
	51290-YQ2A-0100	Fr. Inner Wheel Spokes	0,2		36
	51290-YQ2A-0300	Fr. Outer Wheel Spokes			36
8_09	51210-YQ2A-0000	Fr. Wheel Hub Assy.	68×68×110	0,2259	1
8_10	51261-YQ2A-0000	Fr. Wheel Bush	32×32×19	0,014	2
8_11	Z-6804-32-20-07	Fr. Wheel Bearing (Φ20*Φ32*7)	32×32×7	0,003	2
8_12	52171-YQ2A-0001	Fr. Brake Disc	202.5×202.5×18	0,195	1
8_13	FB03-006-05-010-F3	Screw (M5*10)		0,003	6
8_14	51200-YQ2A-Z1	Fr. Wheel Assy. + Fr. Brake Disc	160×92×75		1



ITEM	PARTS NO.	PARTS NAME (EN)	DIMENSION (mm)	WEIGHT (kg)	QTY
9_01	51350-YQ2A-0000	Rr. Wheel Shaft	20×20×184	0,163	1
	51350-YQ2B-0000	Rr. Wheel Shaft This longer one for mounting the Rr. Wheel fender brocket	20×20×184	0,163	1
9_02	51362-YQ2A-0000	Rr. Wheel L Setback Bush	22×22×29	0,031	1
9_03	52280-YQ2A-0000	Rr. Brake Clipper Bracket	92×115.5×10	0,031	1
9_04	FB03-006-06-013-F3	Screw (M6*13)		0,0031	6
9_05	52271-YQ2A-0001	Rr. Brake Disc	202.8×202.8×2	0,207	1
9_06	51300-YQ2A-0000	Rr. Wheel Assy.	620.1×620.1×118	5,2876	1
	51300-YQ2A-0200	Rr. Wheel Assy. (E-Mark)			1
9_07	51230-YQ2A-0000	Rr. Tire Assy.	620.1×620.1×74.4		1
	51230-YQ2A-0010	Rr. Tire Assy. (E-mark)		2,46	1
9_08	51231-YQ2A-0000	Rr. Tire	620.1×620.1×74.4	2,023	1
	51231-YQ2A-0010	Rr. Tire (E-Mark)	620.1×620.1×74.4		1
	51231-YQ2A-0300	Rr. Tire 2.50-19	585×585×95		1
	51231-YQ2A-0301	Rr. Tire 2.50-19 (E-Mark)	585×585×95		1
9_09	51232-YQ2A-0000	Rr. Wheel Inner Tube	585×585×50	0,322	1
	51232-YQ2A-0010	Rr. Wheel Inner Tube (E-Mark)	585×585×50		1
9_10	51266-YQ2A-0000	Rr. Rim Band	665×20×1	0,038	1
9_11	51370-YQ2A-0000	Rr. Rim Assy.	500×500×111	2,182	1
9_12	51310-YQ2A-0000	Rr. Wheel Hub Assy.	102×102×111	0,6456	1
9_13	51311-YQ2A-0000	Rr. Wheel Hub	102×102×111	0,54	1
9_14	B7-001-20-37-7	Rr. Wheel Hub Oil Seal (Φ20-Φ37-7)	37×37×7	0,004	2
9_15	Z-6202-35-15-11	Rr. Wheel Hub Bearing (Φ15*Φ35*11)	35×35×11	0,009	2
9_16	51363-YQ2A-0000	Rr. Wheel Hub Inner Bush	19×19×74	0,011	1
9_17	51271-YQ2A-0000	Rr. Rim	500×500×50	1,1811	1
9_18	51290-YQ2A-0100	Rr. Wheel Spokes	216×8	0,0119	36
	51390-YQ2A-0100	Rr. Wheel Inner Spokes	212×8	0,0113	36
	51390-YQ2A-0200	Rr. Wheel Outer Spokes	212×8.6		36
9_19	13204-YQ2A-0000	Sprocket (48T)	198.9×198.9×6	0,487	1
	13204-YQ2A-0200	Sprocket (58T)	239.4×239.4×6		1
9_20	B3-001-08-016-F0	Screw (M8*16)		0,0085	5
9_21	51361-YQ2A-0000	Rr. Wheel R Setback Bush	28×28×36	0,048	1

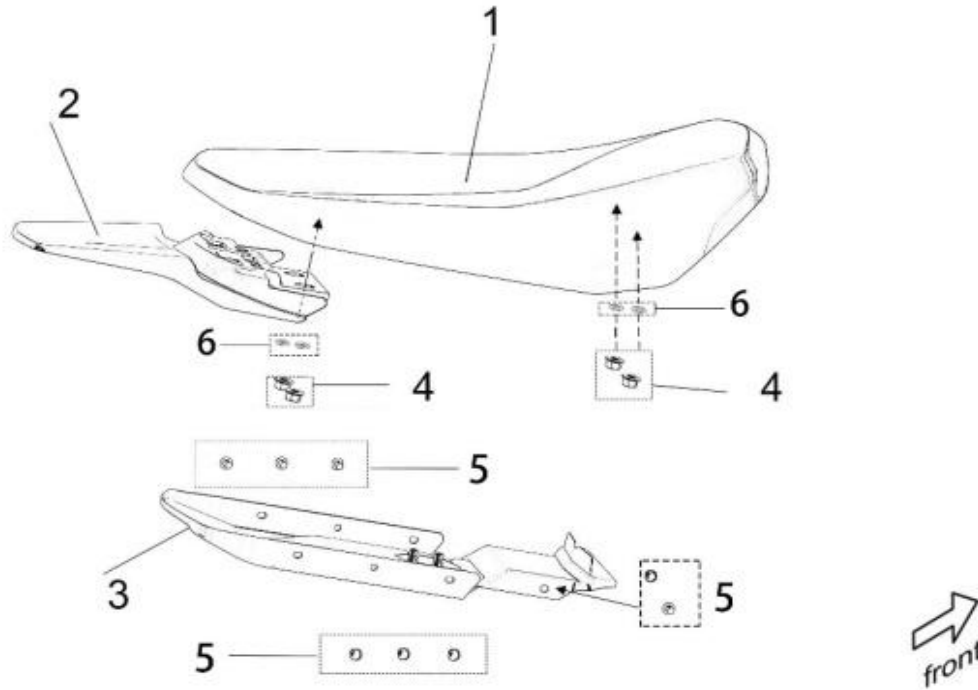


9_22	B2-006-12-F2	Nut (M12*1.25)		0,0152	1
9_23	51300-YQ2A-Z1	Rr. Wheel Assy + Rr. Brake Disc + Sprocket	622×622×128		

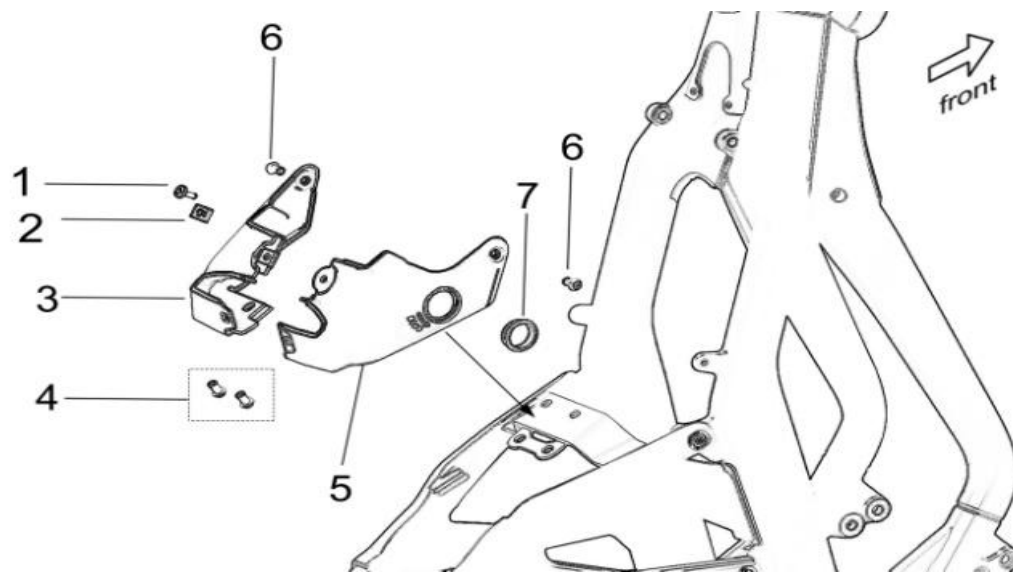


ITEM	PARTS NO.	PARTS NAME (EN)	DIMENSION (mm)	WEIGHT (kg)	QTY
10_01	22100-YQ2A-Z	Head Light Assy. + Bracket	97×142.2×75.8		1
10_02	22100-YQ2A-0200	Head Light Assy	91×85.5×63		1
10_03	B3-002-06-010-F0	Screw (M6*16)			4
10_04	41330-YQ2A-0200	Head Light Assy. Bracket	96.3×63.5×23.1		1
10_05	B3-006-002-F1	Screw (ST2.9*9.5)			2
10_06	25100-YQ2A-0100	Speedometer	40.2×58.4×20.5		1
10_07	23200-YQ2A-0000	L Combination Switch Assy.	64.7×55.6×26	0,138	1
10_10	27000-YQ2A-0100	Lock Set	29.8×31×43.2	0,066	1
10_11	24601-YQ2A-0000	USB Waterproof Cap	84×36.5×14.5	0,004	1
10_12	24600-YQ2A-0000	USB Interface	36.5×36.5×48.5	0,02	1
10_13	B2-006-06-F2	Nut (M6)		0,0022	1
10_14	B4-001-06-F1	Washer (Φ6)		0,0005	1
10_15	B3-001-06-016-F0	Screw (M6*16)		0,0054	1
10_16	29310-NM1A-0000	Horn	65.8×94×36.7	0,106	1
10_18	B1-008-06-016-F2	Screw A (M6*16)		0,0054	1
10_19	FB01-003-06-016-F2	Screw B (M6*16)		0,0054	1
10_20	81173-YQ2A-0000	GPS Upper Buffer Foam	34.2×24.8×2.8		2
10_21	21260-YQ2A-0000	GPS Device	132×86×56		1
10_23	81174-YQ2A-0000	GPS Lower Buffer Foam	1×321×2		1
10_24	21230-YQ2A-0000	GPS Device Fixing Bracket	11×65×1		1
10_25	41660-YQ2A-0000	Tail Light Mounting Bracket	46.9×62×36.4		1
10_26	B2-006-05-F2	Nut (M5)			2
10_27	22200-YQ2A-0000	Tail Light	94.3×30.8×33.4		1
10_28	FB03-003-04-013-F3	Screw (M4*13)			2
10_29	FB03-003-04-013-F3	Screw (M4*13)			2
10_30	23400-YQ2A-0000	Side Stand Power-Off Switch Assy.	41.1×52×24.3		1
10_34	21300-YQ2A-0000	Converter Assy.	73.6×97.2×29.6		1

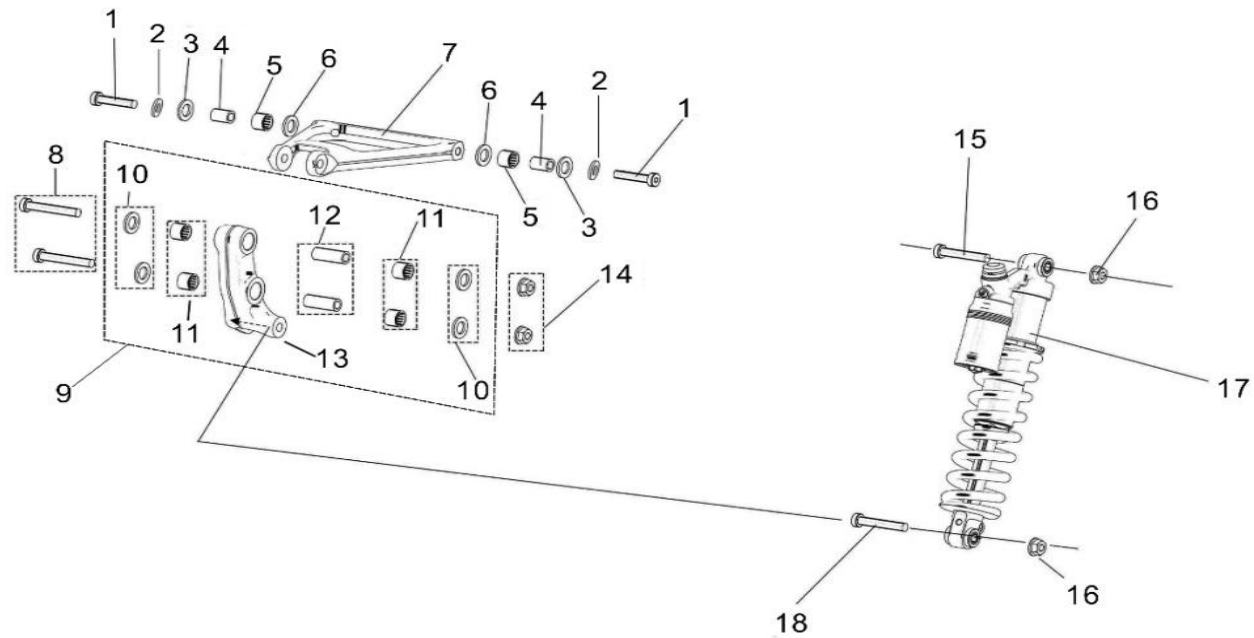
10_33	23700-NM1A-0000	Acceleration Controller	90×53×84		1
10_35	FB03-003-04-013-F3	Screw (M4*13)			2
10_36	FB03-003-04-013-F3	Screw (M4*13)			2



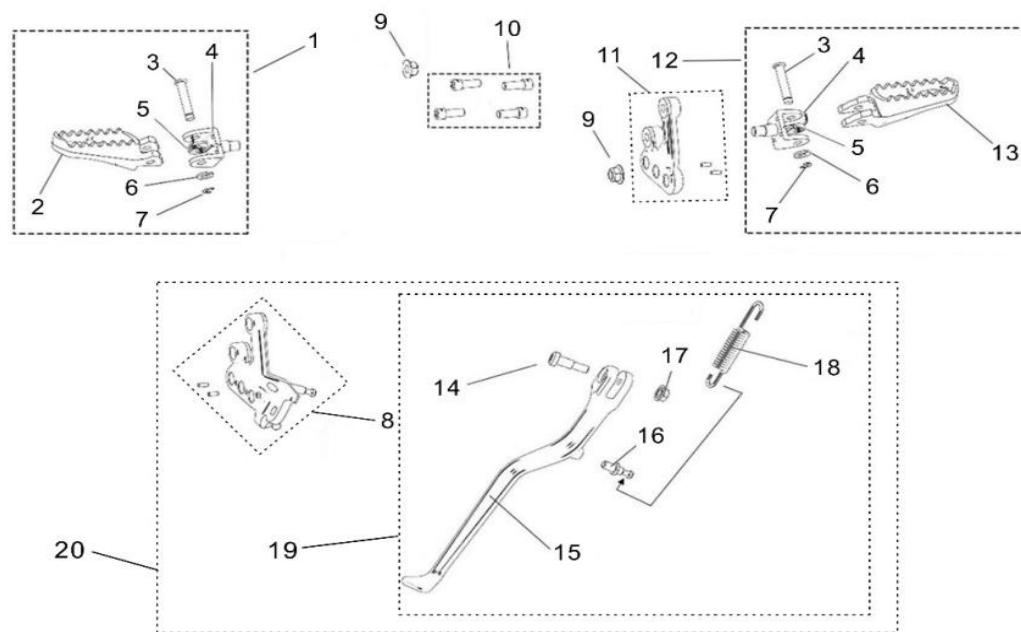
ITEM	PARTS NO.	PARTS NAME (EN)	DIMENSION (mm)	WEIGHT (kg)	QTY
11_01	32300-YQ2A-0001	Seat Assv. (Plastic)	170×443×129	0,638	1
11_02	31321-YQ2A-0000	Rear Fender (Plastic)	240.9×140.6×31.3	0,058	1
11_03	31340-YQ2A-0000	Rear Fender Inner Plate (Plastic)	345×107.4×44.5	0,109	1
	31325-YQ2A-0000	Lengthening Shield of Rear Fender			1
	B5-004-R3560	Rear Shield Screw (R3560)			4
11_04	B2-012-06-F2	Nut (M6)		0,003	4
11_05	B5-004-R5075	Nylon Rivet (R5075)		0,003	8
11_06	B4-001-6-F1	Washer		0,0005	4



ITEM	PARTS NO.	PARTS NAME (EN)	DIMENSION (mm)	WEIGHT (kg)	QTY
12_01	B3-006-003-F3	Screw (ST4.2*13)		0,0016	1
12_02	FB04-001-04-F2	Clip (M4)		0,0012	1
12_03	32351-YQ2A-0000	L Battery Lock Decoration Cover (Plastic)	71.9×163.6×96.2	0,049	1
12_04	FB03-001-06-012-F0	Screw B (M6*12)		0,0031	2
12_05	32352-YQ2A-0000	R Battery Lock Decoration Cover (Plastic)	71.9×163.6×96.2	0,049	1
12_06	B3-002-06-010-F0	Screw A (M6*10)		0,0031	2
12_07	27516-YQ2A-0000	Battery Compartment Lock decoration Ring (Plastic)	27×27×7.4	0,0007	1

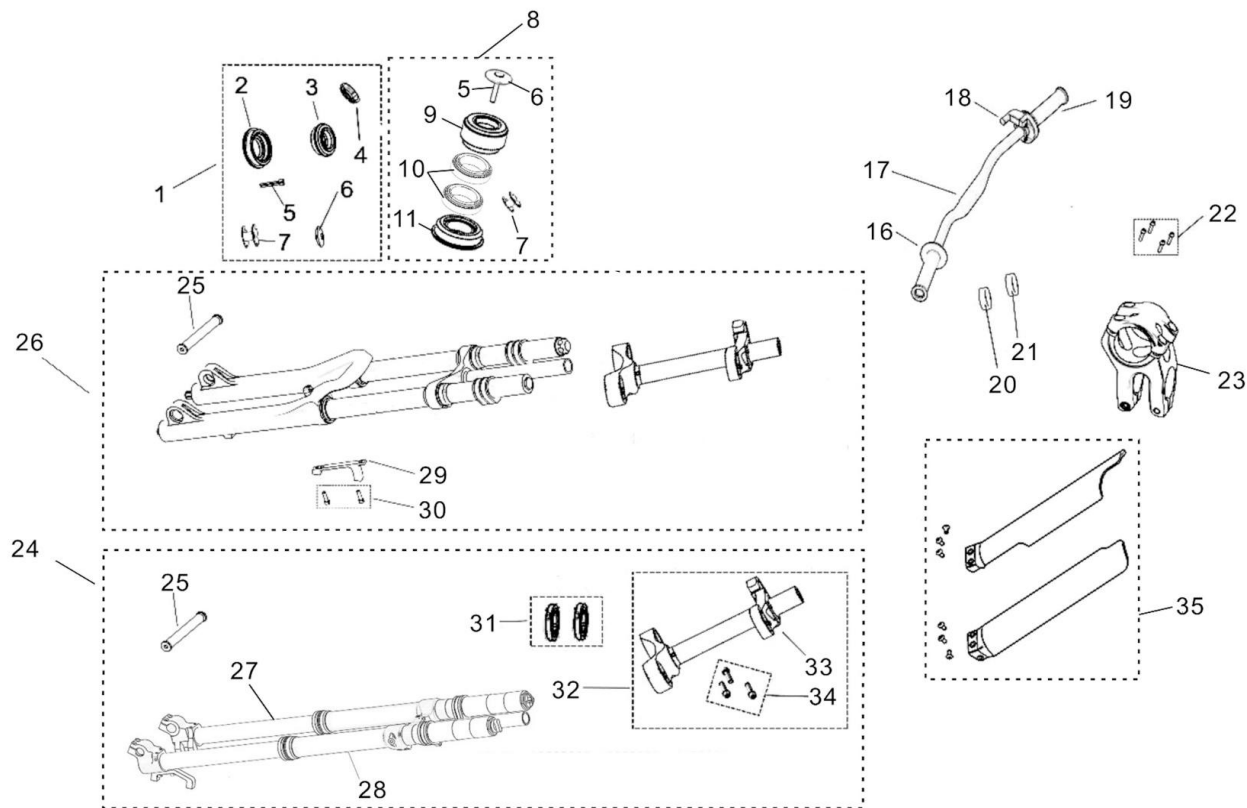


ITEM	PARTS NO.	PARTS NAME (EN)	DIMENSION (mm)	WEIGHT (kg)	QTY
13_01	B3-001-08-035-F2	Bolt (M8*35)		0,0213	2
13_02	B4-001-08-F1	Washer (Φ8)		0,001	2
13_03	55163-YQ2A-0000	Nylon Washer (Φ12-Φ20-2)	20×20×2	0,001	2
13_04	55162-YQ2A-0000	Connection Rod Bush	12×12×16.5	0,008	2
13_05	Z-HK1212-16-12-12	Rock Arm Full Component Niddle Roller Bearing	12×16×12	0,00661	2
13_06	55163-YQ2A-0000	Nylon Washer (Φ12-Φ20-2)	20×20×2	0,001	2
13_07	55148-YQ2A-0000	Rr. Absorber Connection Rod	143×151.5×24.8	0,147	1
13_08	B3-001-08-055-F2	Rr. Rock Arm Mounting Shaft (Half-Thread L55-M8)		0,0299	2
13_09	55140-YQ2A-0000	Rr. Rock Arm Assy.	42.6×122.6×36	0,176	1
13_10	B7-001-12-16-3	Rock Arm Oil Seal	12×16	0,0006	4
13_11	Z-HK1212-16-12-12	Rock Arm Full Component Niddle Roller Bearing	12×16	0,00661	4
13_12	55142-YQ2A-0000	Rock Arm Bush	42.6×122.6×36	0,0147	2
13_13	55141-YQ2A-0001	Rock Arm	121×31×38	0,176	1
13_14	B2-006-08-F2	Nut (M8)		0,003	2
13_15	B3-001-08-050-F2	Screw (Half-Thread L50-M8)		0,029	1
13_16	B2-006-08-F2	Nut (M8)		0,003	2
13_17	55110-YQ2A-0300	Rr. Absorber 450LB (DNM)	290×75×110	1,183	1
13_18	B3-001-08-045-F2	Screw (Half-Thread L45-M8)		0,028	1



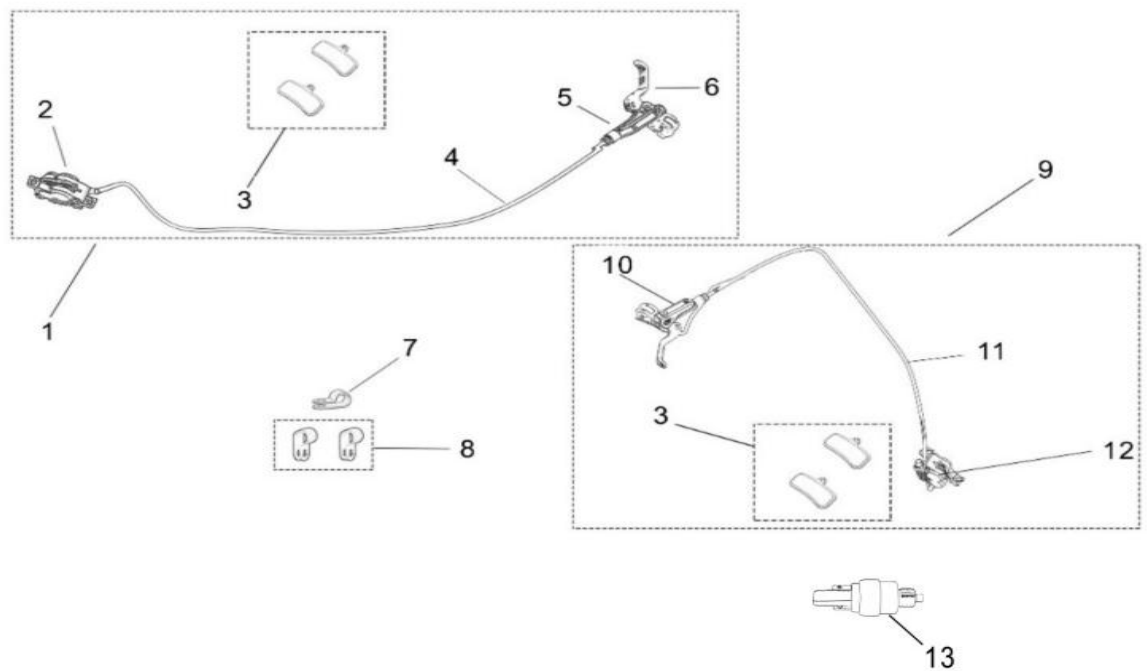
ITEM	PARTS NO.	PARTS NAME (EN)	DIMENSION (mm)	WEIGHT (kg)	QTY
14_01	42100-YQ2A-0000	L Foot Peg Assy.	146×42.5×48.2	0,2656	1
14_02	42111-YQ2A-0000	L Foot Peg	115.6×41.1×41	0,112	1
14_03	42116-YQ2A-0000	Foot Peg Mounting Pin	12×12×42.9	0,017	2
14_04	42122-YQ2A-0001	Foot Peg Connection Bracket	34×26×57	0,088	2
14_05	42115-YQ2A-0000	Foot Peg Return Spring	25.1×29.5×17	0,005	2
14_06	B4-001-08-F1	Washer (Φ8)		0,001	2
14_07	B4-007-06-F1	Foot Peg Clip Spring Reed (Inner Dia. Φ6)		0,0005	2
14_08	42112-YQ2A-0000	L Foot Peg Mounting Bracket	120.5×121.4×30	0,154	1
14_09	B2-006-10-F2	Nut (M10*1.25)		0,0035	2

14_10	B3-001-08-020-F0	Screw (M8*20)		0,0096	4
14_11	42212-YQ2A-0000	R Foot Peg Mounting Bracket	101.7×80.2×14	0,106	1
14_12	42200-YQ2A-0000	R Foot Peg Assy.	146.7×42.5×44.5	0,2656	1
14_13	42211-YQ2A-0000	R Foot Peg	115.6×41.1×41	0,113	1
14_14	41559-YQ2A-0000	Screw (M8*30)		0,011	1
14_15	41550-YQ2A-0000	Side Stand	308.3×77.2×92.3	0,214	1
14_16	41555-YQ2A-0000	Side Stand Spring Pin B	13×13×32	0,0022	1
14_17	B2-006-08-F2	Nut (M8)		0,003	1
14_18	41556-YQ2A-0000	Side Stand Spring	19.5×19.5×106	0,059	1
14_19	41550-YQ2A-1	Side Stand Assy.	325×26×64		1
14_20	41550-YQ2A-2	Side Stand Assy.+L Foot Peg Mounting Bracket	404×195×135		1



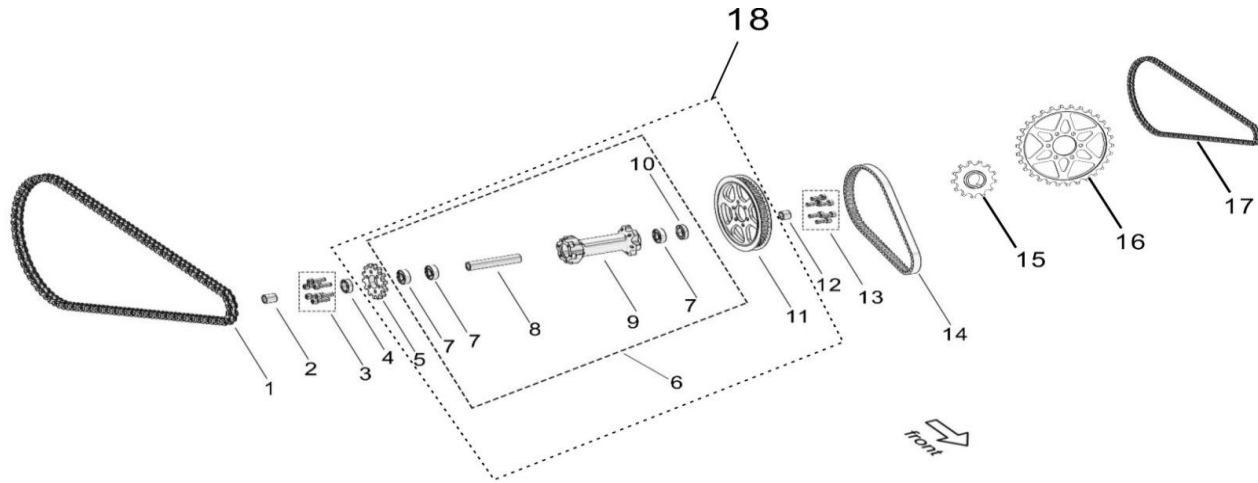
ITEM	PARTS NO.	PARTS NAME (EN)	DIMENSION (mm)	WEIGHT (kg)	QTY
15_01	51180-YQ2A-0100	Headset Assy. (Steel)	60.8×60.8×39	0,148	1
15_02	51181-YQ2A-0100	Upper Headset Assy. (Steel)	60.8×60.8×12	0,066	1
15_03	51182-YQ2A-0100	Lower Headset Assy. (Steel)	50×50×15	0,08	1
15_04	51184-YQ2A-0100	Split Snap Ring	34×34×6.9		1
15_05	51185-YQ2A-0100	Headset Decoration Screw Kit together with the headset	11.3×11.3×39	0,1455	2
15_06	51183-YQ2A-0100	Handle Bar Stem Lock Cover	32×32×8.2	0,0095	2
15_07	51187-YQ2A-0000	Headset Tensioner	23.4×23.4×14.8		2
15_08	51180-YQ2A-0200	Tapered Roller Bearing Headset	62×62×55		1
15_09	51181-YQ2A-0200	Upper Headset Assy.(of Tapered Roller Bearing Headset)	53×53×30.3		1
15_10	Z-32906X-47-30-12	Tapered Roller Bearing	47×47×12		2
15_11	51182-YQ2A-0200	Lower Headset Assy.(of Tapered Roller Bearing Headset)	62×62×17		1
15_16	23810-YQ1A-0000	L Handlebar Grip (Grey)	60×60×125	0,046	1
15_17	51150-YQ2A-0100	Steering Handle Bar (X Version)	760	0,351	1
15_18	23900-YQ1A-0000	Electric Throttle	61×49×67.5	0,081	1

15_19	23820-YQ1A-0000	R Handlebar Grip (Grey)	60×60×125	0,052	1
15_20	51195-YQ2A-0000	Washer 1 (Φ34*Φ29*10)	34×34×10	0,006	1
15_21	51196-YQ2A-0000	Washer 2 (Φ34*Φ29*15)	34×34×15	0,011	1
15_22	B8-001-05-018-F0	Screw (M5*18, with washer)		0,0038	4
15_23	51190-YQ2A-0000	Handlebar Stem Assy.	87.5×49×56.3	0,129	1
15_24	51000-YQ2B-0000	Fr. Absorber Assy. (DNM)	820×215×167		1
15_24	51000-YQ2B-0200	Fr. Absorber Assy. (KKE)			1
15_25	51250-YQ2A-0000	Fr. Wheel Shaft (RST)	24×24×162		1
	51250-YQ2A-0300	Fr. Wheel Shaft (DNM)	24×24×171.5	0,0919	1
	51263-YQ2A-0300	Fr. Wheel Shaft Nut (DNM)			1
15_26	51000-YQ2A-0000	Fr. Absorber Assy. (RST) White	187.7×125×845.7		1
	51000-YQ2A-0400	Fr. Absorber Assy. (RST) Black	187.7×125×845.7		1
15_27	54200-YQ2A-0300	Fr. R Absorber (DNM)	57.3×78.8×807	1,47	1
15_28	54100-YQ2A-0300	Fr. L Absorber (DNM)	57.3×78.8×807	1,49	1
15_29	52161-YQ2A-0000	Fr. Brake Clipper Bracket (RST)	102×36×10		1
15_30	B3-001-06-018-F0	Screw (M6*18)			2
15_31	54320-YQ2A-0300	Fr. Absorber Seal Assy. (DNM) (Φ46XΦ46X2.2 & Φ49XΦ49X3)		0,052	2
15_32	51110-YQ2B-0000	Steering Stem Assy.	209×90×261.5	0,5295	1
15_33	51121-YQ2A-0300	Steering Stem Upper Connection Plate	499×71.5×20	0,1646	1
15_34	B3-001-05-014-F0	Screw (RST-M5*14) come together with the front absorber			3
	B3-001-05-014-F0	Screw (DNM-M5*14) come together with the front absorber		0,0035	3
15_35	32280-YQ2A-0300	R Fr. Absorber Protection Plate (DNM)	24.2×57.8×306.6		1
	32270-YQ2A-0300	L Fr. Absorber Protection Plate (DNM)			1

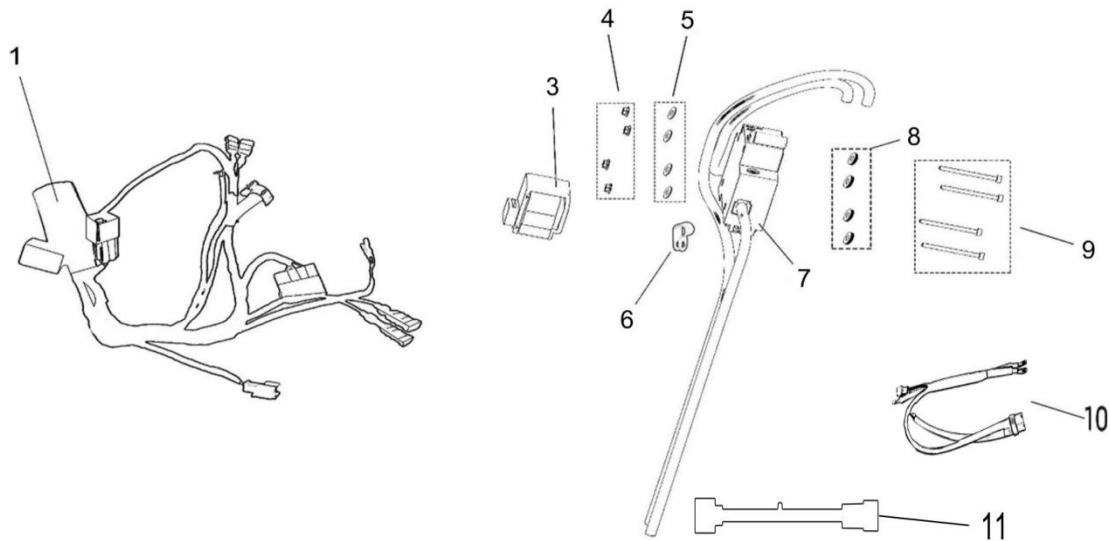


ITEM	PARTS NO.	PARTS NAME (EN)	DIMENSION (mm)	WEIGHT (kg)	QTY
16_01	52200-YQ2B-0100	Rr. Brake Assy.	330×60×137	0,4	1
	52200-YQ2B-0300	Rr. Silence Brake Assy.	330×60×137	0,4	
16_02	52290-YQ2A-0100	Rr. Brake Clipper (Golden Color) With Mounting Screw M6*18 + Washer	88.4×38.9×52.7	0,1616	1
16_03	52191-YQ2A-0100	Brake Pad	40×25.3×4	0,0281	4

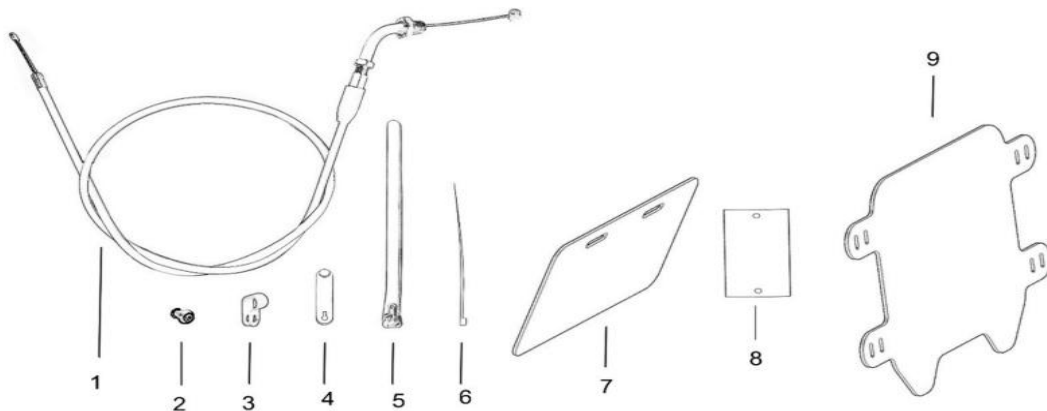
16_03	52191-YQ2B-0100	Brake Pad (silence)	40×25.3×4	0,0281	4
16_04	52240-YQ2A-0000	Rr. Brake Oil Hose	1620mm	0,04	1
16_05	52210-YQ2B-0000	Rr. Brake Pump Assy.	117.1×53.4×163.2	0,1767	1
16_06	52111-YQ2B-0000	Brake Lever	103.8×27.9×14	0,0246	2
16_07	81138-YQ2A-0000	Nylon Wire Clip 2 (Φ6.35)	Φ6.35	0,001	2
16_08	81137-YQ2A-0000	Nylon Wire Clip 1 (Φ9.5)	Φ9.5	0,001	2
16_09	52100-YQ2B-0100	Fr. Brake Assy.	330×60×137	0,38	1
	52100-YQ2B-0300	Fr. Brake Assy. (silence)			1
16_10	52110-YQ2B-0000	Fr. Brake Pump Assy.	117.1×53.4×163.2	0,176	1
16_11	52140-YQ2A-0000	Fr. Brake Oil Hose	1100mm	0,0312	1
16_12	52190-YQ2A-0200	Fr. Brake Clipper (Golden Color) With Mounting Screw M6*18 + Washer	88.4×38.9×52.7	0,1616	1
16_13	52120-YQ2B-0000	Brake Power Off Switch Set	500mm		



ITEM	PARTS NO.	PARTS NAME (EN)	DIMENSION (mm)	WEIGHT (kg)	QTY
17_01	13114-YQ2A-0600	O-Ring Roller Chain (106 links)	106 links	0,756	1
	13114-YQ2A-0100	Roller Chain (102 links) Refitting Part	102 links		
	13114-YQ2A-0700	O-Ring Roller Chain (112 links) Refitting Part	112 links		1
17_02	61234-YQ2A-0000	Mid. Shaft R Bush	15×15×17	0,013	1
17_03	B3-003-06-025-F3	Screw (M6*25)		0,008	6
17_04	B7-001-15-24-7	Mid. Shaft Sleeve R Oil Seal (Φ15-Φ24-7)	24×24×7	0,0011	1
17_05	13105-YQ2A-0000	Power Output Shaft Sprocket (14T)	64×64×8.5	0,078	1
17_06	61280-YQ2A-0001	Mid. Shaft Sleeve Assy.	114×54×54	0,278	
17_07	Z-6000-2Z-26-10-08	Mid. Shaft Sleeve Bearing	26×26×8	0,0035	3
17_08	61282-YQ2A-0000	Mid. Shaft Sleeve Mid. Bush	15×15×81	0,059	1
17_09	61281-YQ2A-0001	Mid. Shaft Sleeve	114×54×54	0,17	1
17_10	B7-001-15-26-6	Mid. Shaft Sleeve L Oil Seal (Φ15-Φ26-6)	26×26×6	0,0012	1
17_11	13202-YQ2A-0100	Rr. Belt Pulley	136.5×136.5×17	0,285	1
17_12	61233-YQ2A-0000	Mid. Shaft L Bush	15×15×12	0,009	1
17_13	B3-001-06-016-F0	Screw (M6*16)		0,0054	6
17_14	13111-YQ2A-0100	Belt	210×137×15	0,045	1
17_15	13211-YQ2A-0000	Primary Transmission Sprocket (13T) Refitting Part	13齿		
17_16	13212-YQ2A-0000	Primary Transmission Sprocket (30T) Refitting Part	126×126×6.8		1
17_17	13117-YQ2A-0000	Primary Transmission Chain (42 links) Refitting Part	42节		1
17_18	61270-YQ2A-Z	Mid. Shaft Sleeve + Power Output Shaft Sprocket (14T) + Rr. Belt Pulley	137×137×134		1



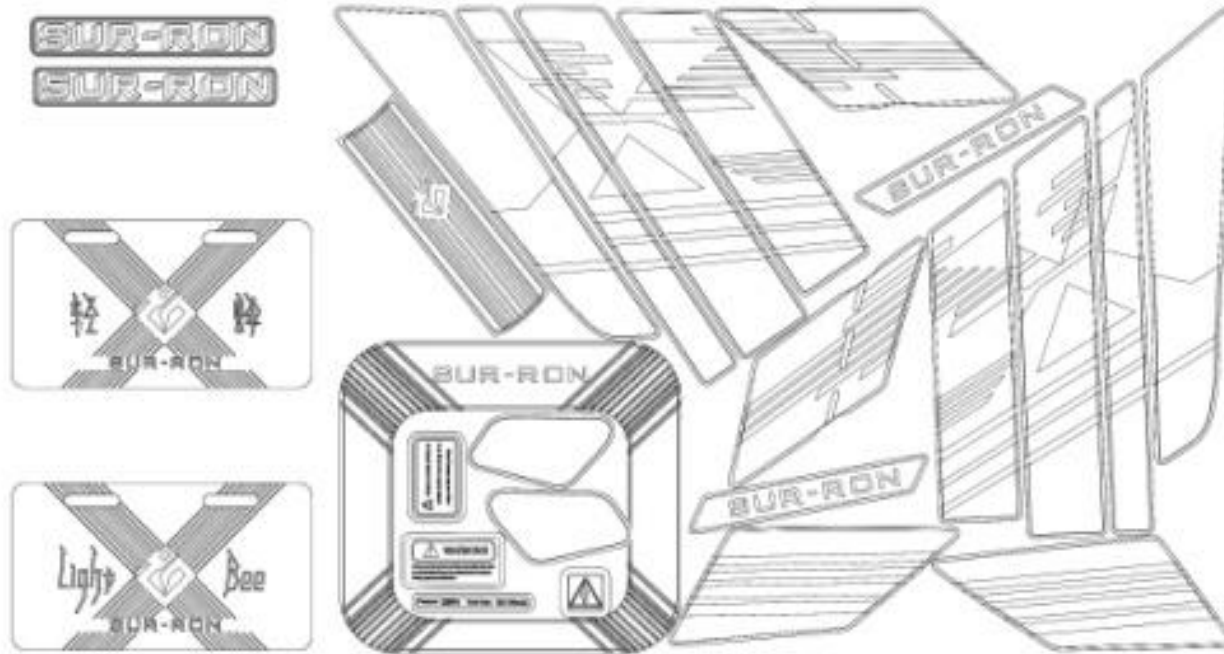
ITEM	PARTS NO.	PARTS NAME (EN)	DIMENSION (mm)	WEIGHT (kg)	QTY
18_01	24100-YQ2A-0200	Main Wire Assy. (1210mm)	1210mm	0,424	1
18_03	21250-YQ2A-0000	Toppler Over Sensor	41×57×39.5	0,016	1
18_04	B2-012-03-F2	Nut (M3)		0,003	4
18_05	B4-001-04-F1	Washer (Φ4)		0,0004	4
18_06	81153-NM1A-0000	Nylon Wire Clip 3	27.7×15.5×12	0,0012	1
18_07	23500-YQ2A-0000	Single Circuit Breaker	76.1×85.2×26.8	0,155	1
18_08	81125-YQ2A-0000	Isolation Washer (Φ7*Φ3.2*5)	7×3.2×5	0,002	4
18_09	B3-001-03-040-F2	Screw (M3*40)		0,0005	4
18_10	24110-YQ2A-0000	sur-ron battery sub-cable			
18_11	24710-YQ2A-0000	diagnostic cable			



ITEM	PARTS NO.	PARTS NAME (EN)	DIMENSION (mm)	WEIGHT (kg)	QTY
19_01	71110-YQ2A-0001	Throttle Cable	Length 960mm	0,1	1
19_02	FB03-004-008-F2	Screw (M5*8)		0,0028	1
19_03	81138-YQ2A-0000	Nylon Wire Clip 2	10.4×10.4×22	0,001	1



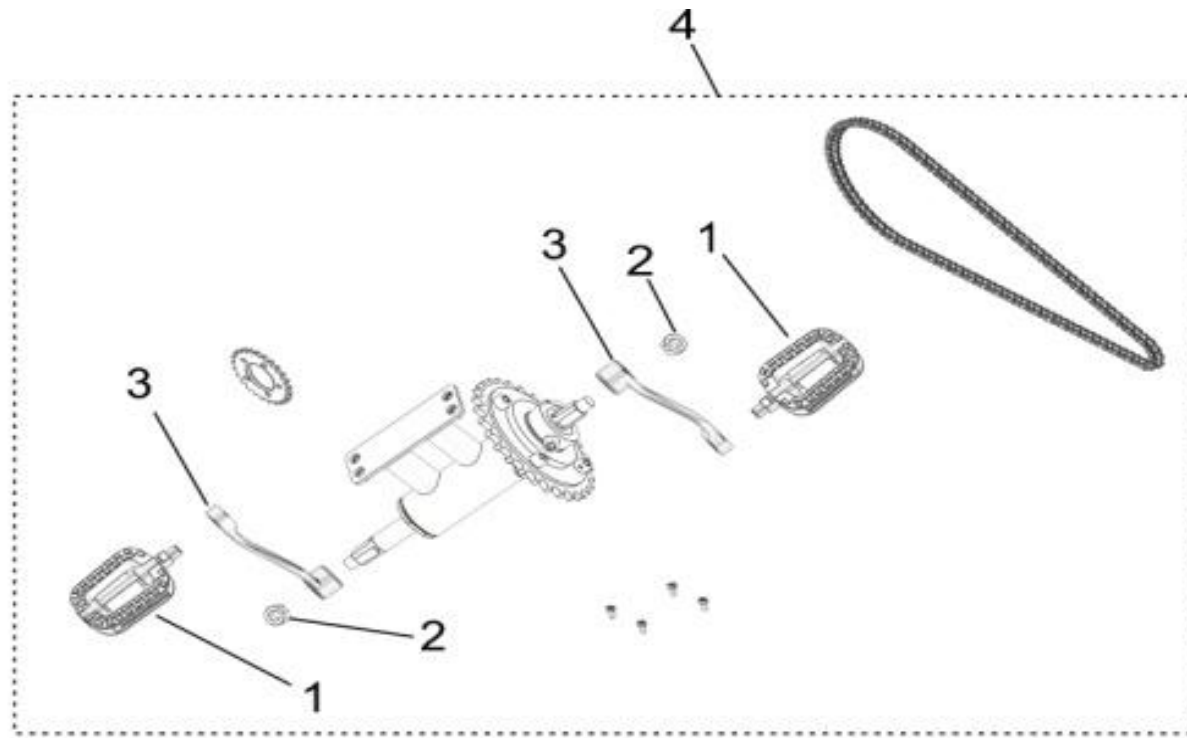
19_04	81135-NM1A-0000	Rubber Strip	12×58	0,0014	2
19_05	81141-YQ2A-0000	Black Nylon Strip	8×11×200		4
19_06	81147-YQ2A-0000	Wire Fixing Strip	4×150	0,00065	7
19_07	81181-YQ2A-0100	Rear Billboard (X Version)	164×90×1.8		1
19_08	41591-YQ2A-0200	VIN Name Plate (CE)	31×65×1	0,002	
	41591-YQ2A-0102	VIN Name Plate (EN15194)		0,002	
19_09	81182-YQ2A-0000	Front Number Plate	158.4×214.8×2		1



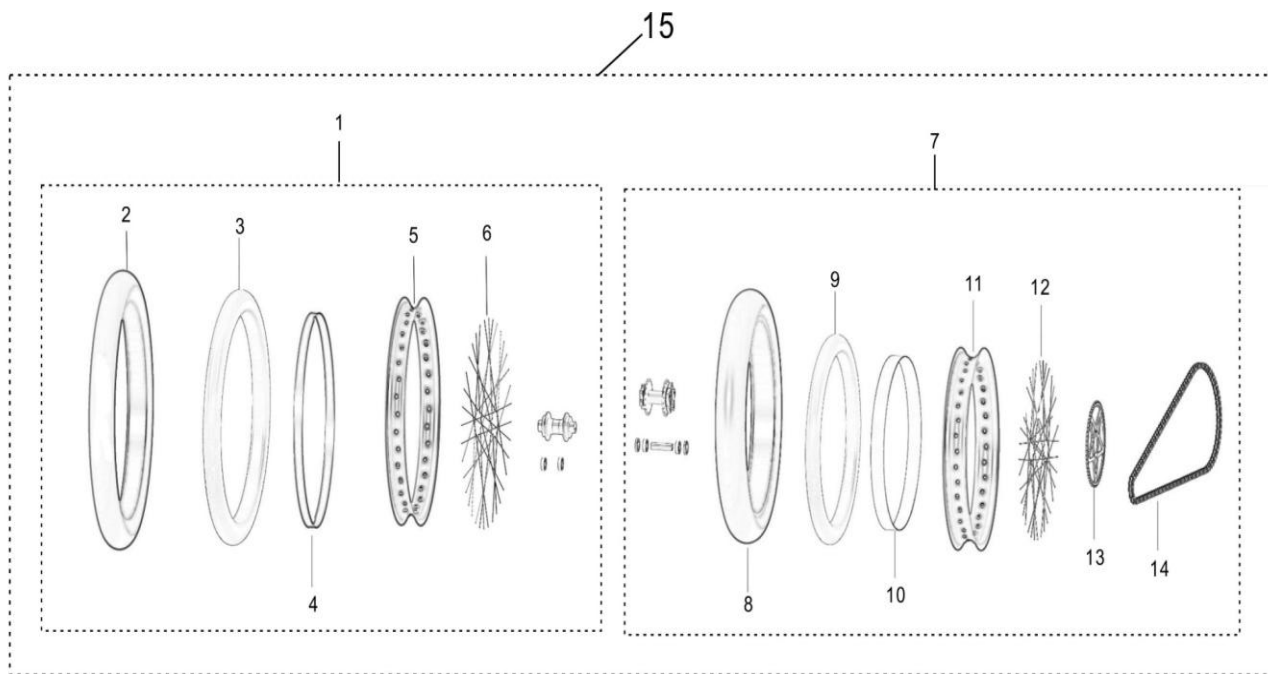
ITEM	PARTS NO.	PARTS NAME (EN)	DIMENSION (mm)	WEIGHT (kg)	QTY
	82120-YQ2A-0201-Y10	X Sticker (White)			
	82120-YQ2A-0201-Y9	X Sticker (Green)			
	82130-YQ2A-0000-Y10	Battery Compartment Cover Sticker (White)			
	82130-YQ2A-0000-Y9	Battery Compartment Cover Sticker (Green)			



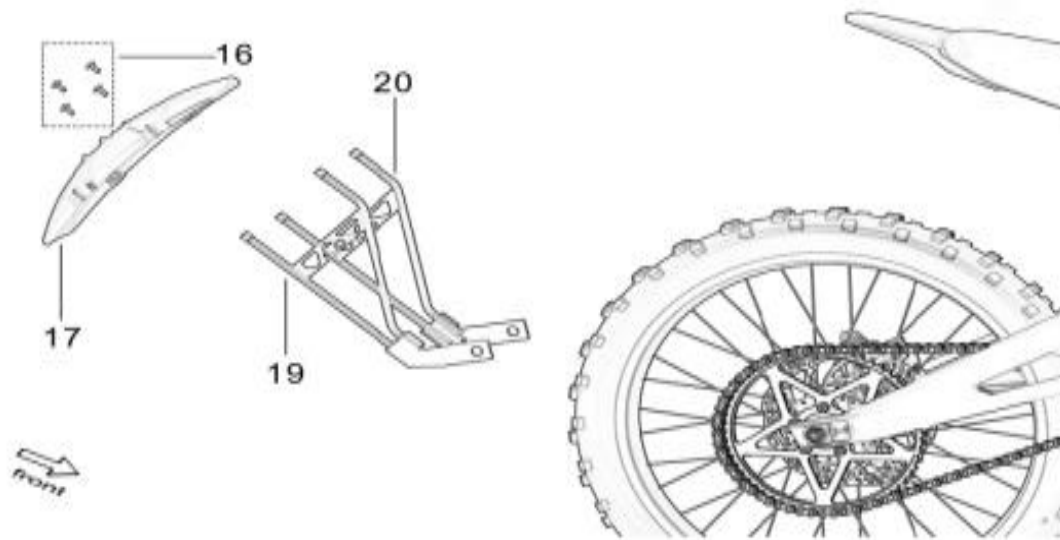
ITEM	PARTS NO.	PARTS NAME (EN) Refitting Part	DIMENSION (mm)	WEIGHT (kg)	QTY
21_01	55164-YQ2A-0000	Rr. Absorber Adaptor Assy. Refitting Part	50×32×24		1



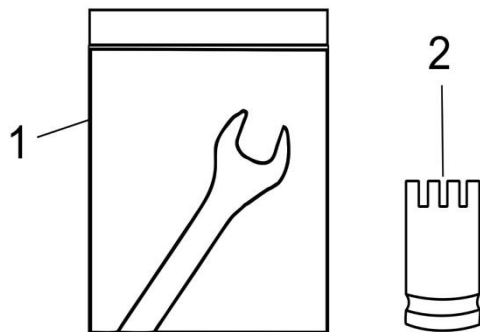
ITEM	PARTS NO.	PARTS NAME (EN) Refitting Part	DIMENSION (mm)	WEIGHT (kg)	QTY
23_01	13317-YQ2A-0000	Pedal	115×62×42		1
23_02	13343-YQ2E-0000	Crank Mounting Nut			2
23_03	13315-YQ2A-0000	Crank	160×32×23		2
23_04	13300-YQ2A-0000	Kick Pedal Assy.	510×365×130		1



ITEM	PARTS NO.	PARTS NAME (EN) Refitting Part	DIMENSION (mm)	WEIGHT (kg)	QTY
24_01	51200-YQ2A-0100	Fr. Super Motor Wheel Assy.	557.8×557.8×110		1
24_02	51231-YQ2A-0100	Fr. Super Motor Tire	557.8×557.8×70		1
24_03	51232-YQ2A-0100	Fr. Super Motor Inner Tube	540×540×54		1
24_04	51266-YQ2A-0100	Rim Band (Fr. Super Motor Wheel Rim)	17inches, 25×1		1
24_05	51271-YQ2A-0200	Fr. Rim (Super Motor)	54.5×456×456		1
24_06	51290-YQ2A-0200	Spokes (Fr. Super Motor Wheel)	221mm		36
24_07	51300-YQ2A-0100	Rr. Super Motor Wheel Assy.	575.8×575.8×111		1
24_08	51331-YQ2A-0000	Rr. Super Motor Tire	575.8×575.8×70		1
24_09	51332-YQ2A-0000	Rr. Super Motor Inner Tube	540×540×54		1
24_10	51266-YQ2A-0100	Rim Band (Rr. Super Motor Wheel Rim)	17inches, 25×1		1
24_11	51371-YQ2A-0000	Rr. Rim (Super Motor)	460×460×71.2		1
24_12	51390-YQ2A-0002	Spokes (Rr. Super Motor Wheel)	171mm		36
24_13	13204-YQ2A-0100	Sprocket (42T)	199×199×6		1
24_14	13114-YQ2A-0100	Roller Chain (102 links)	102 links		1
22_15	51200-YQ2A-Z2	Fr. & Rr. Super Motor Tire Kit	595×221×587		1



ITEM	PARTS NO.	PARTS NAME (EN)	DIMENSION (mm)	WEIGHT (kg)	QTY
24_16	B3-002-06-012-F0	Screw (M6*12)		0,0031	4
24_17	31331-YQ2B-0000	Rr. Wheel Fender	327.1×170×60.6	0,207	1
24_19	41490-YQ2B-0001	Rr. Wheel Fender R Mounting Bracket	143×14.4×324.4	0,263	1
24_20	41480-YQ2B-0001	Rr. Wheel Fender L Mounting Bracket	143×14.4×324.4	0,262	1



ITEM	PARTS NO.	PARTS NAME (EN) Optional Part	DIMENSION (mm)	WEIGHT (kg)	QTY
25_1	82110-YQ2A-0000	Tool Kit			1
25_2	0402140402	4-Pin Sleeve (For the mid. Shaft Mount or Dismount)			1
25_3	31350-YQ2A-0000	rear mud flap			1